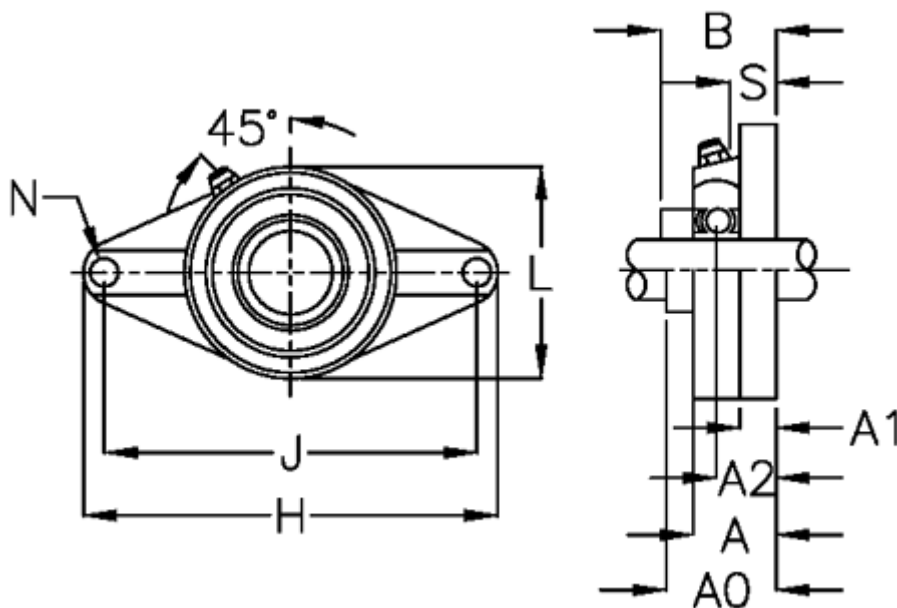


Article number: 5725019215

Description: NSK Oval flange unit UCFL215D1

Measures



| | | | |
|-----------|--------|-------|--------|
| A | = 56 | L | = 165 |
| A0 | = 78.5 | N | = 23 |
| A1 | = 22 | S | = 33.3 |
| A2 | = 34 | Shaft | = 75 |
| B | = 77.8 | | |
| Bolt size | = M20 | | |
| H | = 275 | | |
| J | = 225 | | |